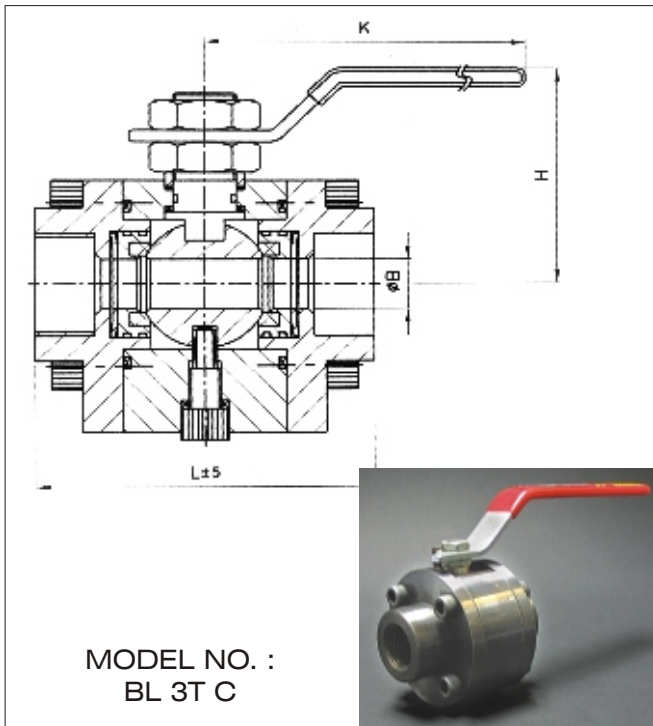


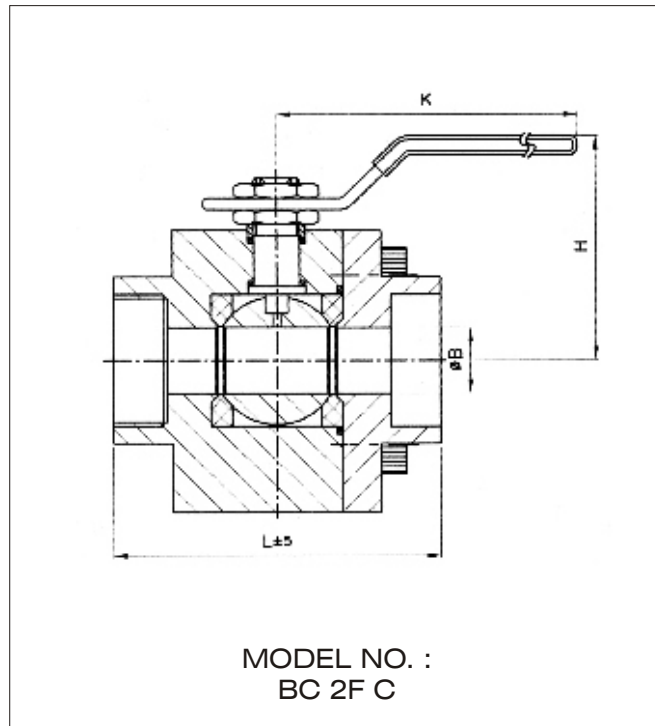
**FORGED / CAST COMPACT BALL VALVES**

**BALL VALVES**

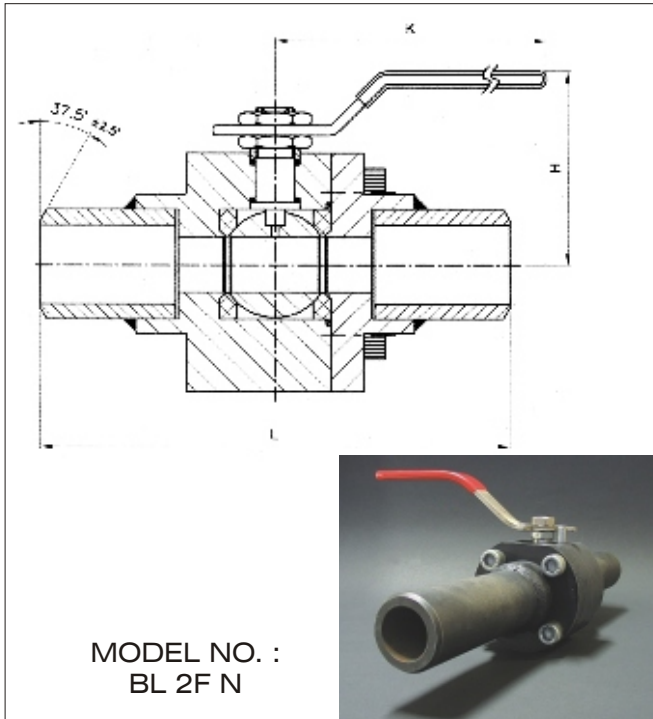
**3 PIECE, 1500/2500#  
TRUNNION MOUNTED**



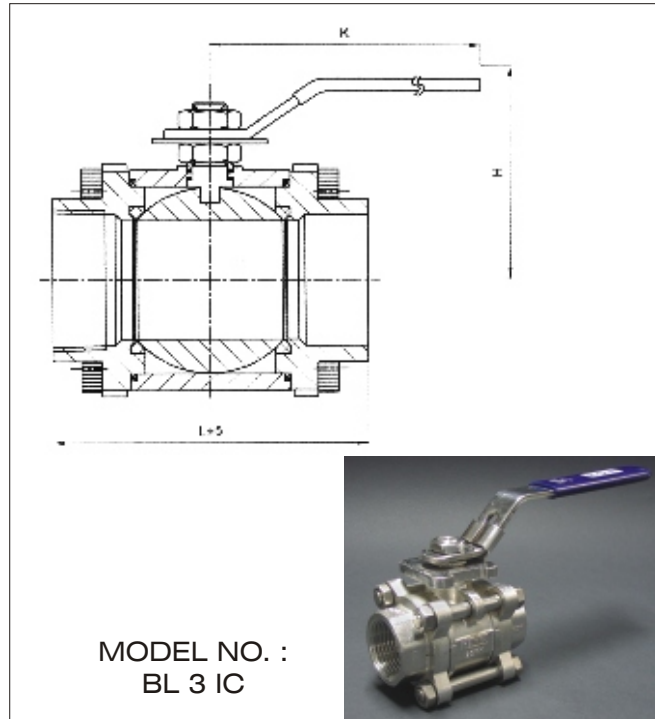
**2 PIECE, 800#**



**2 PIECE, 800#  
NIPPLE WELDED**



**3 PIECE, 150# / 1000 WOG  
INVESTMENT CASTING**



\* Please ask for individual technical data sheets provided separately for these valves.