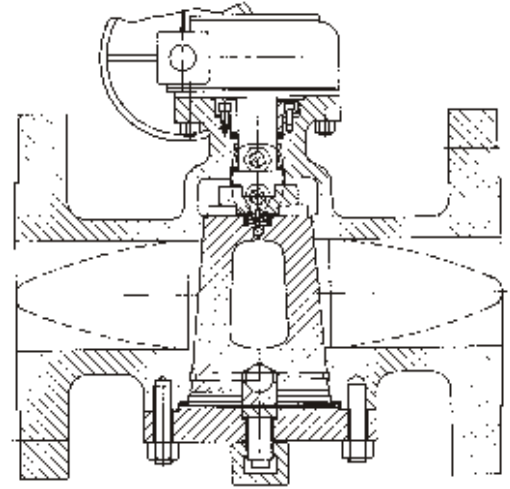


CAST STEEL LUBRICATED PRESSURE BALANCED INVERTED TAPER



Features

- ▶ Hawa Plug Valves conform to API 6D-ISO 14313/API 599/API 6A
- ▶ Body styles
 - Flanged connections to ASME B 16.5 RF/RTJ, API 605, API 6A, MSS SP 44, ASME B16.47
 - Buttweld
 - Hub ends (for clamp joints)
 - Short and long patterns
- ▶ Pressure ratings to ASME B 16.34 class 150(PN 20) through 2500(PN 420) and API 6A pressure class 2000PSI through 10000PSI and class 125(for cast iron valves)
- ▶ Metal to metal seats of large area
- ▶ Plug and seating configuration give streamlined flow path with venturi effect, resulting in low pressure drop
- ▶ Pressure balanced plug
- ▶ Blow out proof stem
- ▶ Fire safe graphite stem seal
- ▶ External provision for plug and stem sealant injection
- ▶ Plug loaded precisely at assembly
- ▶ PTFE impregnated Plug / ENP Coated Plug
- ▶ Valves meet the requirements of fugitive emission levels Shell category B as per MESG SPE 77/312



Options

- ▶ Reduced, venturi or full bore (round port) configurations available
- ▶ Locking arrangements
- ▶ Gear, Electrical, Hydraulic, Pneumatic actuators available
- ▶ ENP coated plug and/or stem for high temperature services



* Compliant to NACE MR-0175 (2002)